

ROTATING RIGHT

**GRISWOLD EF&G
HEAVY DUTY END SUCTION
CENTRIFUGAL PUMPS**

GRISWOLD EF&G



**HEAVY DUTY
END SUCTION
CENTRIFUGAL PUMPS**

GRISWOLD

HEAVY DUTY END



ENGINEERED FOR FLEXIBILITY & DURABILITY

Griswold's E,F&G centrifugal pumps are designed for versatility! With capacities up to 3000 GPM, heads to 310 ft., a broad range of sizes and configuration options, and extensive performance features, the E,F&G Series proves ideal for most water pumping applications.

E,F&Gs are equipped with your choice of either close-coupled NEMA electric motors or frame mounted with coupling to electric motors, engines, steam turbines, or even belt-driven options. The E,F&G's 360° mounting capabilities greatly extend installation options. Close-coupled configurations can be mounted vertically when space is at a premium. The E,F&G's back pull-out design permits removal of the pump assembly for easy maintenance without disturbing pipe connections. All E,F&G models are flanged in accordance with ANSI B 16.1 for 125 PSI applications.

In addition to the wide variety of options and upgrades available to configure the Series for your specific application, all E,F&G pumps are engineered for performance, long life and easy maintenance.

FLANGED CAST IRON CASING

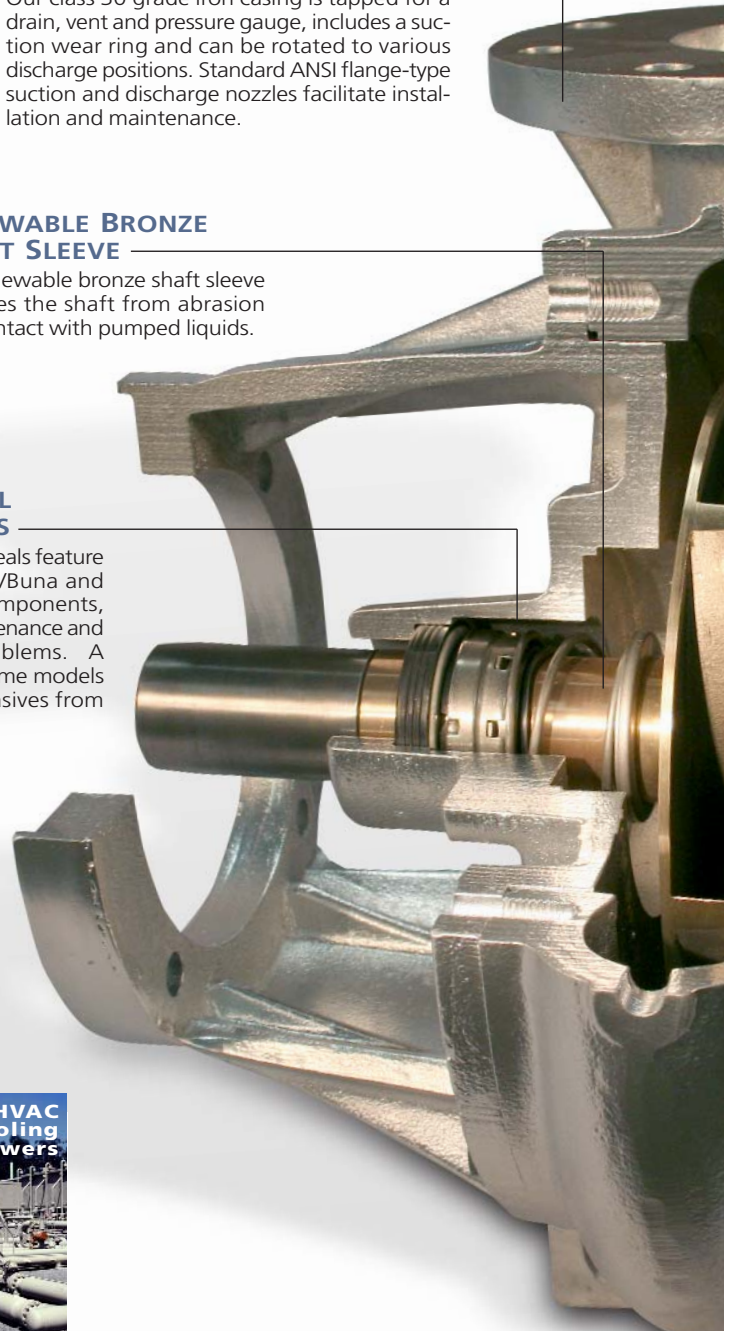
Our class 30 grade iron casing is tapped for a drain, vent and pressure gauge, includes a suction wear ring and can be rotated to various discharge positions. Standard ANSI flange-type suction and discharge nozzles facilitate installation and maintenance.

RENEWABLE BRONZE SHAFT SLEEVE

The renewable bronze shaft sleeve insulates the shaft from abrasion and contact with pumped liquids.

MECHANICAL SHAFT SEALS

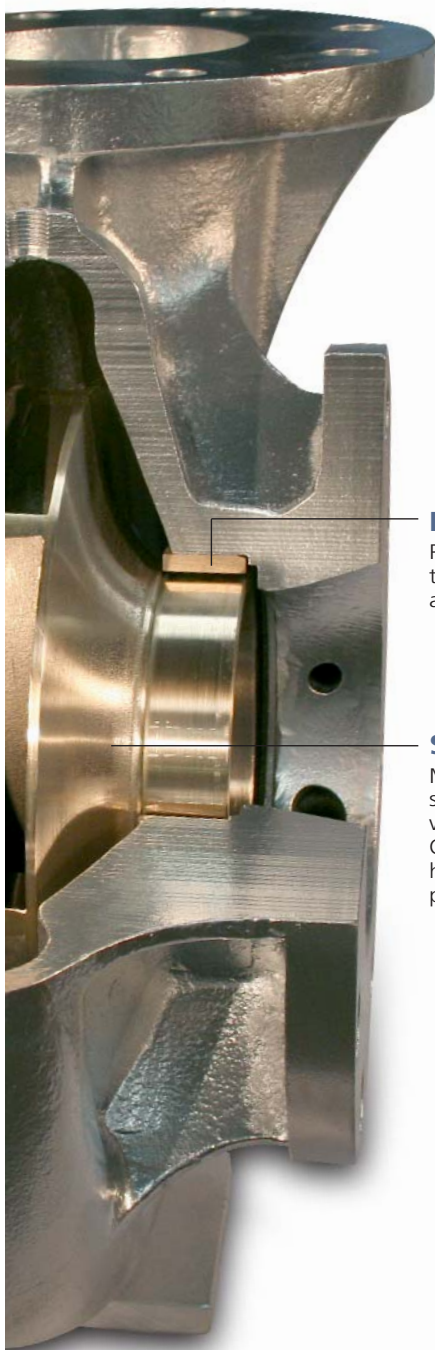
Our mechanical seals feature Carbon/Ceramic/Buna and stainless steel components, eliminating maintenance and adjustment problems. A bypass line on some models helps purge abrasives from the seal chamber.



HVAC cooling towers

EF&G SERIES

S U C T I O N C E N T R I F U G A L P U M P S

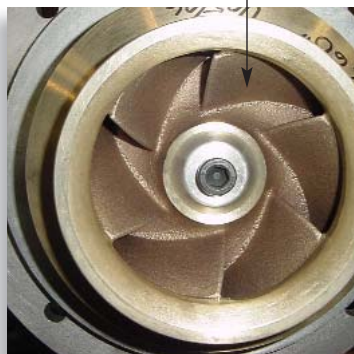


RENEWABLE BRONZE WEARING RINGS

Precision-made bronze wearing rings are pressed into the casing and/or adapter as required and are renewable as well as easily replaced in the field.

SINGLE-PIECE ENCLOSED IMPELLER

Made of cast bronze and keyed to the shaft, our single-piece enclosed impeller is precision balanced with the diameter cut for the specific condition point. On high-head units, the impeller back is drilled for hydraulic balance, limiting thrust load and reducing pressure in the sealing area.



GRISWOLD: ANYTHING BUT STANDARD

The Griswold Pump Company is no newcomer to pumps. With product lines dating back over 70 years, you'll find a wealth of industry knowledge and experience behind every Griswold product. At our facility in Thomasville, Georgia, we manufacture a variety of pumps, including ANSI, end suction centrifugals, self-priming and submersible/vertical turbines. With hundreds of thousands of pump installations worldwide and our international distribution network, Griswold serves a broad range of chemical process, industrial and municipal applications. Our E,F&G Series has proven performance in:

General Industry

Commercial Swimming Pools

Water Parks

Fountains

Commercial & Agricultural Irrigation

Zoos

Aquariums

HVAC Cooling Towers

Marine

EF&G OPTIONS

VERSATILE SOLUTIONS FOR

Choose from

TWO STANDARD CONFIGURATIONS:

GRISWOLD'S STANDARD OIL LUBRICATED POWER FRAME

Standard Power Frame Feature Comparison:	Griswold	Competition
Oil Bath Lubrication	YES	No
Oversized Shaft & Bearings	YES	No
Magnetic Drain Plug	YES	No
INPRO® Lab Seals	YES	No
Epoxy Coated Interior	YES	No
Clean Room Assembly	YES	No

A CLOSE COUPLED CONFIGURATION

E,F&Gs will be provided with NEMA JM or JP close-coupled electric motors. These motors feature a short shaft overhang that reduces the effects of axial strain on motor bearings. In addition to open drip-proof motors, EF&Gs can be coupled with totally enclosed fan-cooled motors as well as explosion-proof motors.

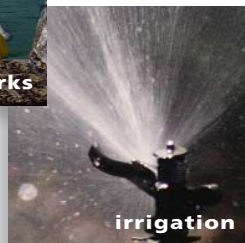


B FRAME MOUNTED CONFIGURATION

Griswold also offers flexible-coupling to electric motors, including open drip-proof, totally enclosed and explosion-proof motors. In addition, we provide engine, steam turbine and belt-driven options. Our extra heavy-duty cast iron frame includes the most advanced features available in oil-lubricated bearing frames for meeting extremely demanding industrial applications. Our standard features include INPRO® labyrinth oil seals, a 1-inch oil sight glass, oversized shaft and bearings, vibration monitoring locations and external cooling capability. Grease lubrication is optional.



zoo & parks



irrigation

& UPGRADES

LIQUID PUMPING APPLICATIONS



fountains



water parks



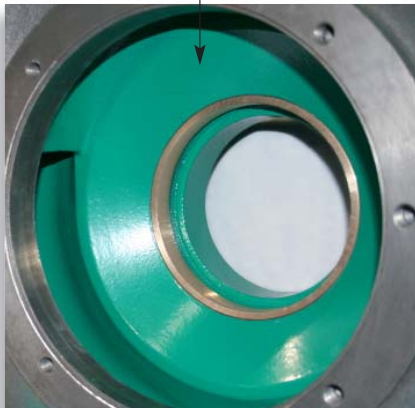
swimming pools

1 NSF® CERTIFICATION

At no additional cost, any F series centrifugal pump can be certified by NSF® to ANSI/NSF standard 50 for Swimming Pools—Circulation System Components. For more information about certifications and requirements, link to NSF's official site at: www.nsf.org

2 COATING OPTIONS

3M™ Scotchkote™ 134 Fusion Bonded Epoxy is designed for corrosion protection of metal components. Because its bonding process provides superior adhesion and coverage, this specialized epoxy coating is particularly suited for the inside of pumps where a smooth, corrosion-resistant surface is required. EF&G pumps can be coated on the interior, exterior, or both.



3 SEAL OPTIONS

While our standard mechanical seal is comprised of Carbon/Ceramic/Buna, we also offer the following alternatives for more abrasive/corrosive and higher temperature applications:

- Carbon Ni-Resist Viton
- Carbon Silicon Carbide Viton
- Silicon Carbide Silicon Carbide Viton
- Silicon Carbide Tungsten Viton



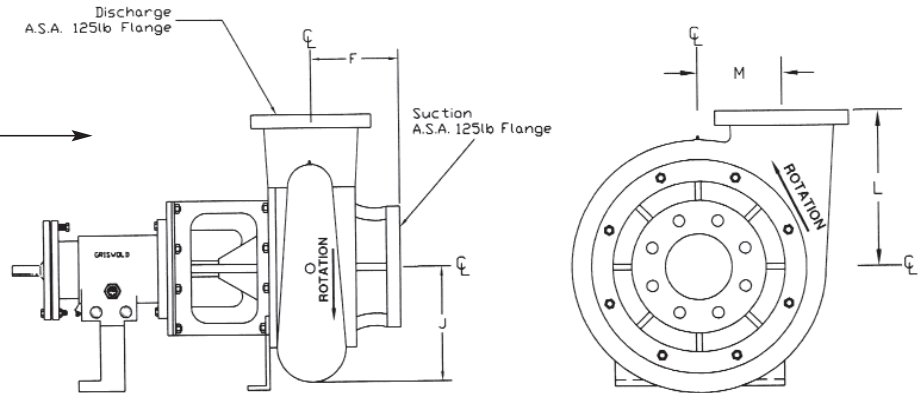
4 BASEPLATE MOUNTING SYSTEMS

Griswold offers a complete range of pre-engineered channeled steel baseplates designed to reduce stress and vibration as well as extend MTBPM (Mean Time Between Preventative Maintenance), thus ensuring long-term durability. Bases include a fully enclosed steel coupling guard as standard, with optional non-sparking coupling guard.

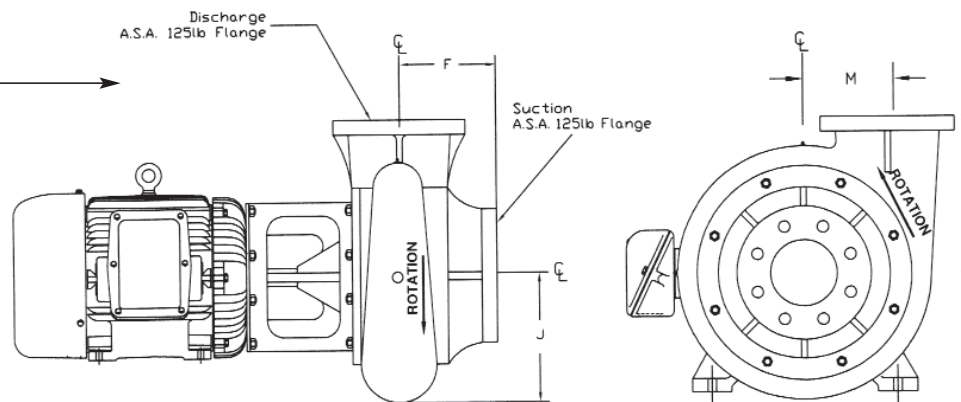


EF&C DIMENSIONAL

**frame
mounted
dimensions**



**close
coupled
dimensions**

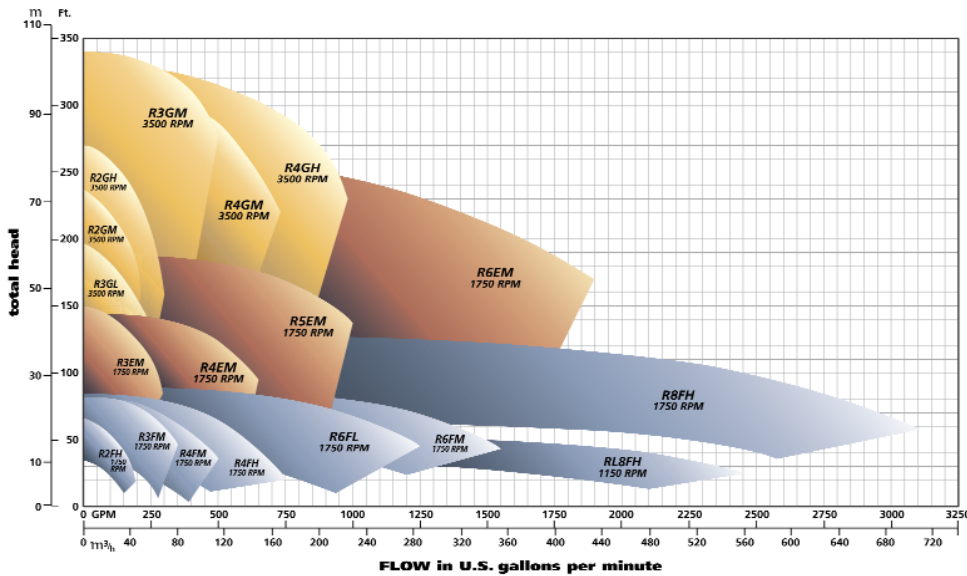


**pump
end
dimensions**

MODEL	Suction	Discharge	F	J	L	M
R3EM	4"	3"	3 9/16	8	8 7/8	6 3/4
R4EM	5"	4"	5 1/16	9 1/2	11 1/4	7 3/4
R5EM	6"	5"	5 9/16	10 7/8	12 9/16	8 15/16
R6EM	8"	6"	8	12 3/8	14 1/4	10
R2FH	3"	2"	3 5/8	6	6 1/8	4 3/4
R3FM	4"	3"	3 5/8	7 3/8	8 1/2	5 13/16
R4FM	5"	4"	4 1/8	8 1/8	7 3/4	6 7/16
R4FH	5"	4"	4 1/8	8 1/8	7 3/4	6 7/16
R6FL	8"	6"	6 11/16	9 3/8	9	7 1/4
R6FM	8"	6"	6 11/16	9 3/8	9	7 1/4
RL8FH	8"	8"	5 1/8	14 1/4	12 5/16	10 7/8
R8FH	8"	8"	5 1/8	14 1/4	12 5/16	10 7/8
R2GH	3"	2"	3 5/8	6	6 1/8	4 3/4
R2GM	3"	2"	3 3/8	5 7/8	6 1/16	4 13/16
R3GL	4"	3"	3 3/8	7 3/8	8 1/2	5 13/16
R3GM	4"	3"	3 5/8	7 3/8	8 1/2	5 13/16
R4GM	5"	4"	4 1/8	8 1/8	7 3/4	6 7/16
R4GH	5"	4"	4 1/8	8 1/8	7 3/4	6 7/16

& PERFORMANCE DATA

E, F & G performance



pressure capability

maximum working pressure (non-shock)	
Series E	150 psi
Series F thru 6"	100 psi
Series 8FH	60 psi
Series G	175 psi

use a no-slam check valve on pump discharge

engineering support



certified testing



expedited delivery



Comprehensive SUPPORT

At Griswold, our commitment to your success extends way beyond our top-of-the-line products. We've structured our staff, systems and inventory to deliver consistent high-level solutions for meeting your most critical equipment and emergency delivery needs.

1 ENGINEERING & CUSTOMER SUPPORT

- **Equipment Selection:** We use the latest technology to identify optimum pump and seal specifications.
- **Technical Support:** Call our application engineers with any questions regarding performance and repair. We also offer state-of-the-art certified performance testing (witnessed or non-witnessed) which conforms to Hydraulic Institute Standards.

2 ONLINE PUMP SELECTION

Streamline your specification process @ griswoldpump.com! With our Online Pump Selection program, you can evaluate the best pumps to suit your specific criteria for size, speed, efficiency, power, temperature, chemical pumped, and more! In addition to generating a comparative list of recommended pumps, you can access a wealth of detailed specifications for each listing, sort, save, print and even email your report.

3 EXPEDITED DELIVERY

36-Hour Ship Commitment on Entire Pumps, **Same-Day Shipping** on Parts.



GRISWOLD PUMP COMPANY

107 Plantation Oak Drive
Thomasville, GA 31792



GRISWOLD **EF&G**

ROTATING RIGHT

Head Office:

6120 Davies Road
Edmonton, AB
T6E 4M9

Phone: (780) 485-2010 • Toll Free: (866) 707-7867

Fax: (780) 485-1938

• Calgary • Drayton Valley • Lethbridge

www.rotatingright.com